



CARDI

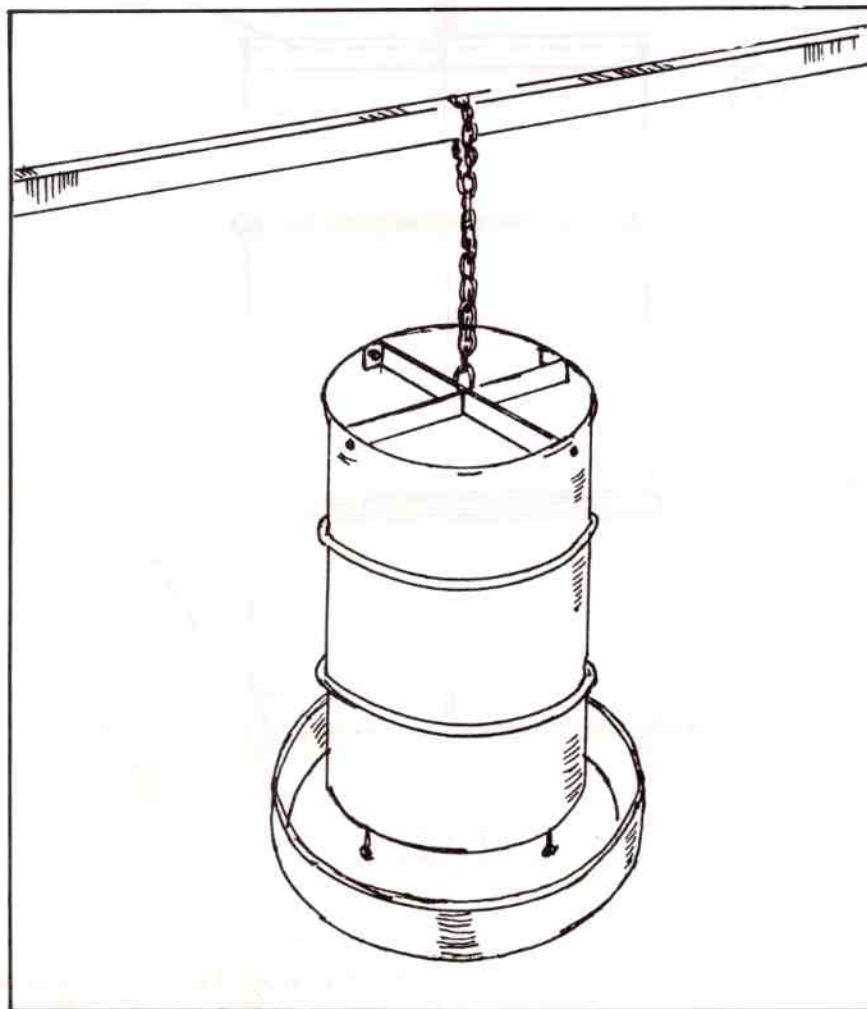
CARIBBEAN
AGRICULTURAL RESEARCH AND
DEVELOPMENT INSTITUTE

REPRINTED: OCTOBER 1992

ORDER NO.: AP-F/27-88

Factsheet

HANGING SELF-FEEDER for Sheep and Goats

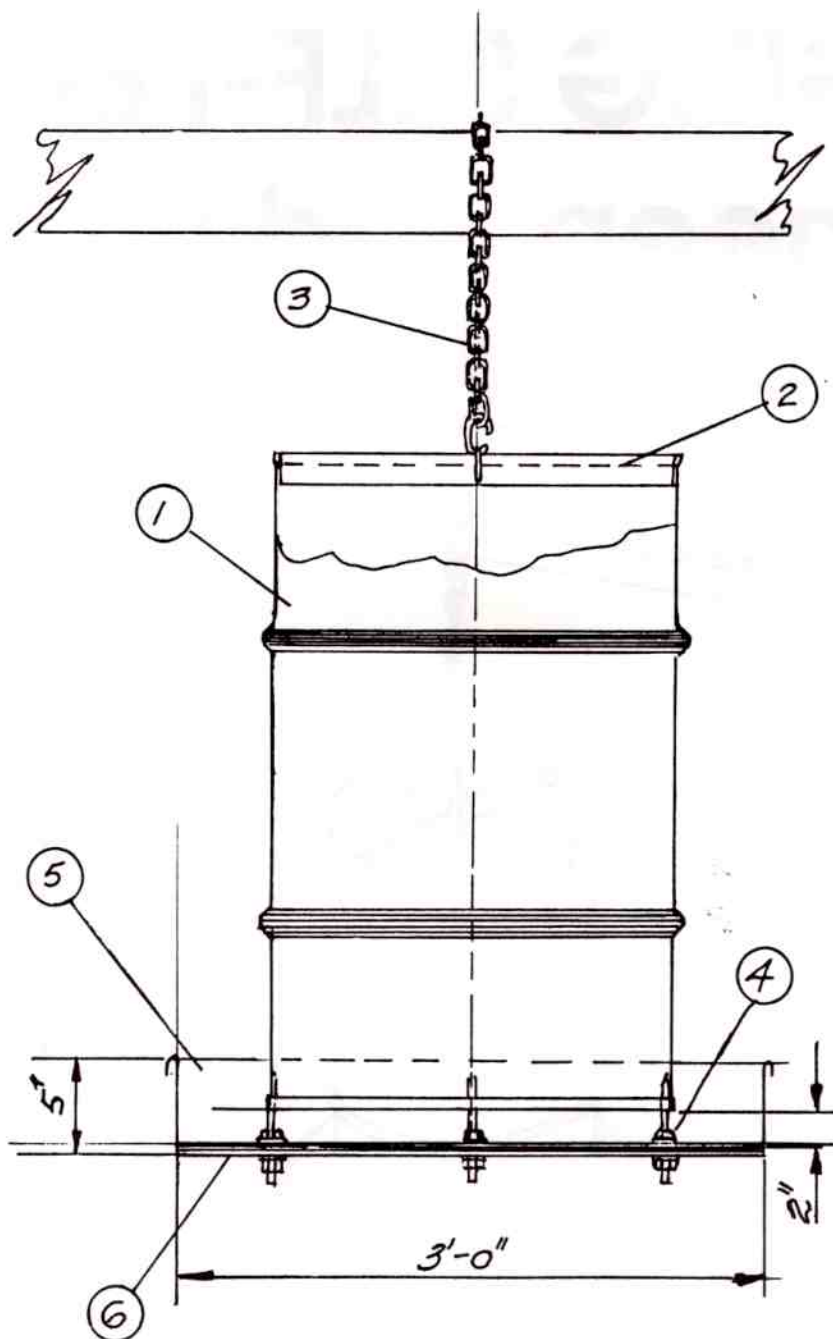


HANGING SELF-FEEDER FOR SHEEP & GOATS

This factsheet describes how to make a self-feeder from a 55 gallon steel drum. This can be used to feed concentrates to lambs, sheep and goats.

The feeder should be suspended from the roof so that it is about 5in (12.5 cm) above ground level for lambs and higher for adults. This self-feeder is adequate to feed 27 mature animals or 40 lambs or kids.

6	1 PC	3/4" PLYWOOD x 3'-0" DIA NAILED IN RIM ITEM 5
5	9'-6"	GALVANIZE x 5 1/2" x 22GA. TOP 1/2" ROLLED OVER
4	4	3/8" x 6" LG. THREADED ROD WITH NUTS & WASHERS
3		3/8" CHAIN - LENGTH TO SUIT CONDITION
2	6'-0"	3/8" x 2" FLAT BAR WELDED TO DRUM
1	1	45 GALLON STEEL DRUM
NO	QTY	DESCRIPTION
DATE	HANGING SELF FEEDER	
1988		
DRAWN BY		SCALE
J.F.		N.T.S.



This Factsheet is published with funding from the
EDF Project No. 6100 33 94297
Technology Transfer and Applied Research